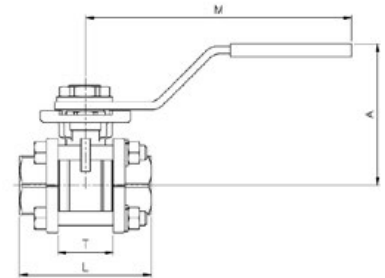
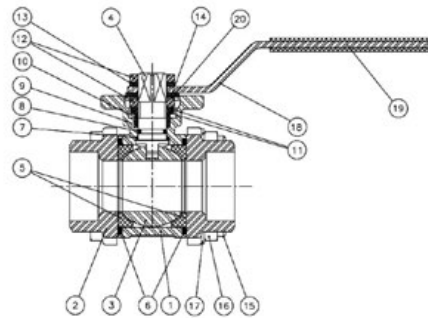


### FEATURES

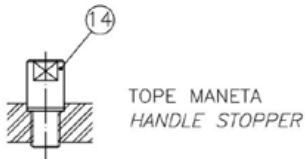
1. Stainless steel full port ball valve, 3 piece.
2. Socket Weld ends according to ANSI B 16.11 Std.
3. Made of AISI 316 (CF8M).
4. Ball seats PTFE + 15 % G.F.
5. Viton o’ring stem.
6. Stem gasket PTFE + 15 % Graphite.
7. Locking system.
8. Direct mounting actuator ISO 5211 (patent system 9900474).
9. Blow-out proof stem.
10. Max. Working pressure 1000 WOG.
11. Working Temperature -15°F + 350°F.



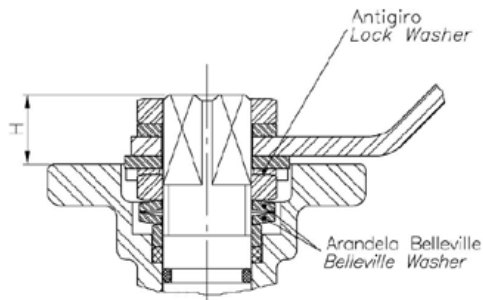
N°	Name	Material	Surface Treatment
1	Body	SS 316 / CF8M	Shot Blasting
2	End	SS 316 / CF8M	Shot Blasting
3	Ball	SS 316	---
4	Stem	SS 316	---
5	Ball Seat	PTFE + 15% GF	---
6	Gasket	PTFE + graphite	---
7	Thrust Washer	PTFE + graphite	---
8	O’ring	Viton	---
9	Stem Packing	PTFE	---
10	Stem Ring	SS 304	---
11	Belleville Washer	SS 301	---
12	Nut	SS 304	---
13	Washer	SS 304	---
14	Stopper	SS 304	---
15	Bolt	SS 304	---
16	Nut	SS 304	---

N°	Name	Material	Surface Treatment
17	Spring washer	SS 304	---
18	Handle	SS 304	---
19	Handle Sleeve	Vinyl	---
20	Lock Washer	SS 304	---

### For 2.5" - 4" Sizes Only



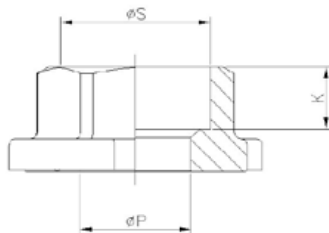
### Stem Detail



**Lock Washer:** Prevents unthreading of stem nut in high cycle automation applications.

**Belleville Washer:** Standard belleville washers provide constant "live load" on the stem seals, assuring a tight seal even varying service parameters.

### Socket Weld Ends According ANSI B 16.11

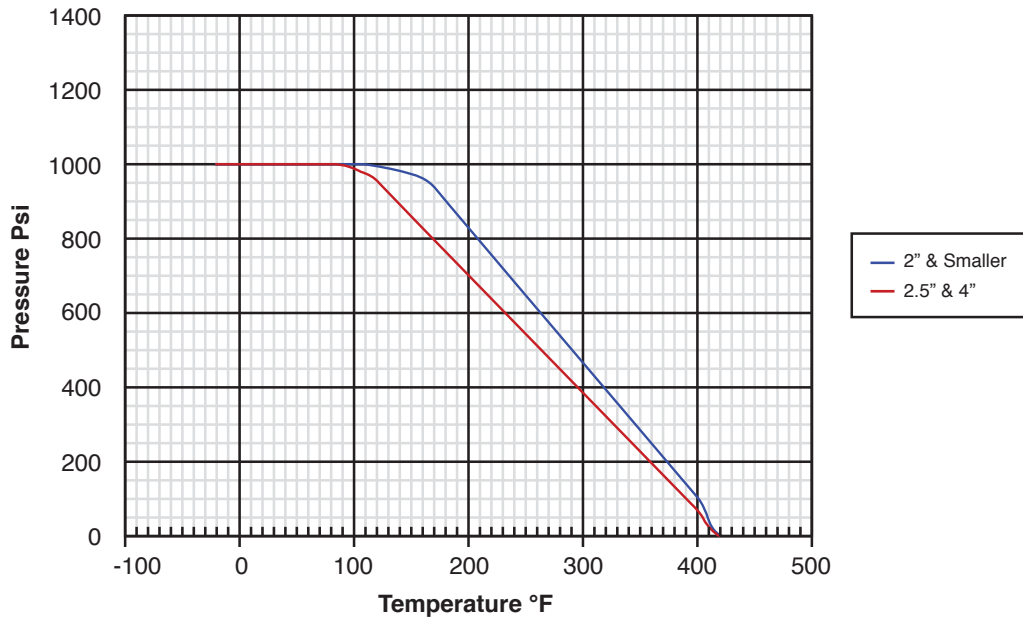


### GENERAL DIMENSIONS (in)

Part #	Size	Ø P	K	Ø S	A	L	M	T	H	SxS (mm)*	ISO 5211	Weight (lbs)
1/4-2027-SW	1/4"	.43	.39	.56	2.4	1.9	4.4	.91	.39	9 x 9	F03	.84
3/8-2027-SW	3/8"	.50	.39	.69	2.4	1.9	4.4	.91	.39	9 x 9	F03	.84
1/2-2027-SW	1/2"	.59	.39	.85	2.4	2.2	4.4	.94	.43	9 x 9	F03/F04	.97
3/4-2027-SW	3/4"	.79	.55	1.07	2.8	2.9	5.4	1.18	.43	11 x 11	F04/F05	1.81
1-2027-SW	1"	.98	.55	1.33	2.8	3.2	5.4	1.32	.43	11 x 11	F04/F05	2.25
1-1/4-2027-SW	1.25"	1.26	.59	1.68	3.5	3.6	6.3	1.63	.59	14 x 14	F05/F07	3.92
1-1/2-2027-SW	1.5"	1.57	.59	1.92	3.7	4.1	8.1	2.03	.59	14 x 14	F05/F07	5.45
2-2027-SW	2"	1.97	.75	2.41	3.9	4.7	8.1	2.48	.59	14 x 14	F05/F07	7.50
2-1/2-2027-SW	2.5"	2.56	.83	2.91	5.9	6.1	13.0	3.29	.75	17 x 17	F07/F10	19.40
3-2027-SW	3"	3.15	.94	3.54	6.5	7.2	13.0	3.94	.75	17 x 17	F07/F10	27.23
4-2027-SW	4"	3.94	1.38	4.55	6.9	9.0	13.4	4.67	.75	17 x 17	F07/F10	43.21

\* Square stem dimension "S" across the flats.

### PRESSURE TEMPERATURE RATING



### Cv Values

Cv = The rate of flow of water in gal/min that will generate a pressure drop of 1 psi across the valve.

1/4"	3/8"	1/2"	3/4"	1"	1 1/4"	1 1/2"	2"	2 1/2"	3"	4"
7	12	28	50	96	150	237	393	601	1272	2104