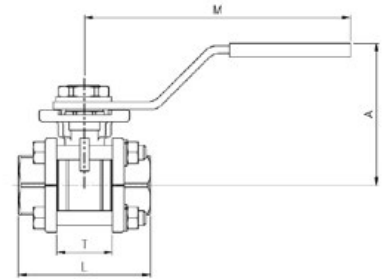
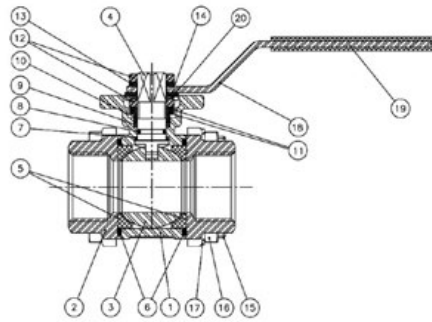


FEATURES

1. Stainless steel full port ball valve, 3 piece.
2. Thread ends according to ANSI B 2.1 (NPT).
3. Made of AISI 316 (CF8M).
4. Ball seats PTFE + 15 % G.F.
5. Viton o'ring stem.
6. Stem gasket PTFE + 15 % Graphite.
7. Locking system.
8. Direct mounting actuator ISO 5211 (patent system 9900474).
9. Blow-out proof stem.
10. Max. Working pressure 1000 WOG.
11. Working Temperature -15°F + 350°F.



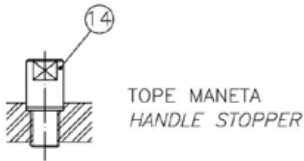
N°	Name	Material	Surface Treatment
1	Body	SS 316 / CF8M	Shot Blasting
2	End	SS 316 / CF8M	Shot Blasting
3	Ball	SS 316	---
4	Stem	SS 316	---
5	Ball Seat	PTFE + 15% GF	---
6	Gasket	PTFE + graphite	---
7	Thrust Washer	PTFE + graphite	---
8	O'ring	Viton	---
9	Stem Packing	PTFE	---
10	Stem Ring	SS 304	---
11	Belleville Washer	SS 301	---
12	Nut	SS 304	---
13	Washer	SS 304	---
14	Stopper	SS 304	---
15	Bolt	SS 304	---
16	Nut	SS 304	---

2025N

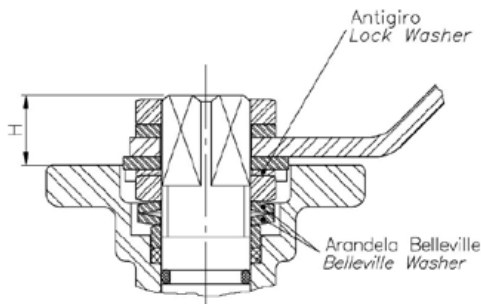
Stainless Steel Full Port Ball Valve 3 Piece

N°	Name	Material	Surface Treatment
17	Spring washer	SS 304	---
18	Handle	SS 304	---
19	Handle Sleeve	Vinyl	---
20	Lock Washer	SS 304	---

For 2.5" - 4" Sizes Only



Stem Detail



Lock Washer: Prevents unthreading of stem nut in high cycle automation applications.

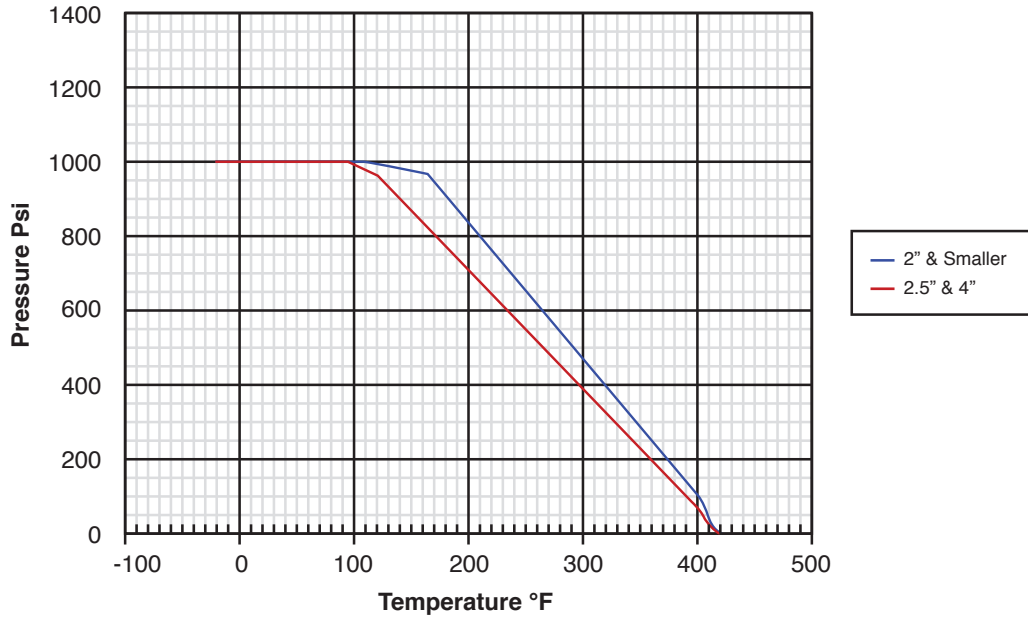
Belleville Washer: Standard belleville washers provide constant "live load" on the stem seals, assuring a tight seal even varying service parameters.

GENERAL DIMENSIONS (in)

Part #	Size	Bore	A	L	M	T	H	SxS (mm)*	ISO 5211	Weight (lbs)
1/4-2025N	1/4"	.43	2.4	1.87	4.4	.91	.39	9 x 9	F03	.86
3/8-2025N	3/8"	.50	2.4	1.87	4.4	.91	.39	9 x 9	F03	.84
1/2-2025N	1/2"	.59	2.4	2.20	4.4	.94	.43	9 x 9	F03/F04	.97
3/4-2025N	3/4"	.79	2.8	2.87	5.4	1.18	.43	11 x 11	F04/F05	1.81
1-2025N	1"	.98	2.8	3.23	5.4	1.32	.43	11 x 11	F04/F05	2.25
1-1/4-2025N	1.25"	1.26	3.5	3.58	6.3	1.63	.59	14 x 14	F05/F07	3.95
1-1/2-2025N	1.5"	1.57	3.7	4.09	8.1	2.03	.59	14 x 14	F05/F07	5.42
2-2025N	2"	1.97	3.9	4.72	8.1	2.48	.59	14 x 14	F05/F07	7.65
2-1/2-2025N	2.5"	2.56	5.9	6.10	13.0	3.29	.75	17 x 17	F07/F10	18.74
3-2025N	3"	3.15	6.5	7.17	13.0	3.94	.75	17 x 17	F07/F10	27.34
4-2025N	4"	3.94	6.9	8.66	13.4	4.67	.75	17 x 17	F07/F10	43.32

* Square stem dimension "S" across the flats.

PRESSURE TEMPERATURE RATING



Cv Values

Cv = The rate of flow of water in gal/min that will generate a pressure drop of 1 psi across the valve.

1/4"	3/8"	1/2"	3/4"	1"	1 1/4"	1 1/2"	2"	2 1/2"	3"	4"
7	12	28	50	96	150	237	393	601	1272	2104